

5<sup>th</sup> Governor Manoling Ortega Cup LRRP Challenge  
Star Shooters Range  
San Fernando, La Union  
August 20-21, 2011

This match is for 22LR rimfire only (no Magnum) and is open to semi-auto, bolt, pump, lever, toggle, and single shot rifles. There will be two Divisions Match – the Manual and Semi- Auto division only. This match is open to all rifle persons PPSA, non-PPSA, hunters, air-rifle persons, Silhouette shooters, and the like – as long as your firearm is safe and licensed. Trophies will be awarded to the following:

- a) Manual Division – Champion, 1<sup>st</sup> runner-up, 2<sup>nd</sup> runner-up, and 3<sup>rd</sup> runner-up
- b) Semi- Auto Division – Champion, 1<sup>st</sup> runner-up, 2<sup>nd</sup> runner-up, and 3<sup>rd</sup> runner-up

Date: August 20-21, 2011

Time: Registration starts at 8:30 am

Competition starts at 9:00 am

Registration fee is P500 – only first attempt counts.

P300 reshoot (no count – bragging rights only).

First attempt whether it be semi-auto or manual so choose wisely.

60 rounds match

600 points maximum

The Basic rules are as follows:

- .22 LR Rimfire only (only Sub-sonics, SV, HV are allowed – all only with lead bullets allowed)
- Any rifle allowed (conversions allowed), any optic / sighting system.
- Slings NOT allowed.
- No shooting jackets or artificial supports allowed.
- Shooter must have safety gear (safety glasses and ear plugs) if not they will not be allowed to shoot. We will be strict.
- Shooters will be allowed to shoot in all divisions but only first shoot no matter what division will count for score.

## Stage 1: LRRP STANDARDS

3 position shoot, 1 string (continuous time), 5 metal targets at each position.  
Each plate is 10 points and each position is limited to 5 rounds only.

**Time** starts as you run forward to first position; Time stops after the last shot.

Targets are on 8" wooden slabs.

1<sup>st</sup> position (STANDING (25yds) are 4" square plates.

2<sup>nd</sup> position (SITTING (35yds) are 3" mixed shape plates.

3<sup>rd</sup> position (PRONE (50yds) are 2" round plates.

**Maximum score** 150 points.

Procedural penalty for extra shot at any position -10 points + take away 1 Hit.

**Score over time.** Tubular magazines will take a +15 second (5 seconds/position) penalty added to their time.

**STAGE NOTES:** This is a Limited round stage. What counts are your HITS. Sitting Position is with "Butt Cheeks on the floor". Slings will not be allowed. Magazines loaded only with 5 rounds will be placed on all 3 shooting platforms. Plates MUST FALL to score. RO's decision is final. Lodge complaints before signing your score sheets. No complaints entertained after.

## Stage 2: DOT Challenge.

**Starting position** will be 3 meters away from the table. Rifles will be on the table with bolt open, magazine inserted.

The DOTS are the exact same dimension as a 22 bullet.

They are spaced out equally BUT, if a bullet is placed in the exact center, it will TOUCH ALL 3 DOTS.

25 DOT targets at a distance of 25 yards in sitting/benchrest position. The target in the middle is a Bonus already, whether they shoot it or not. It will serve as a guide as well.

**Scoring:** Hitting 1 DOT is 1 point, touching 2 DOTS is 5 points, and hitting the center and touching 3 DOTS is 10 points.

Only 25 bullets will be available for the shooter. Any extra rounds fired or on the target sheet, procedural penalty of -10 points/ extra round. Any DOT target with 2 or more shots within will be considered a miss.

**Maximum score** 250 points. 8 minute stage.

**STAGE NOTES:** Since this is a fixed time stage, any magazine/capacity may be used. The stage/bay will have 3 or 4 shooting tables. Bipods on Rifles may be used. Only House sandbags can be used.

## Stage 3: Sniper Rooftop Platform.

A simulated rooftop Sniper platform. 4'x8' inclined ramp at 55 degrees.

In front will be 10 metal targets in 3 different sizes at various heights/distances (35-120 yards).

Shooter will be allowed to mount the ramp, magazine inserted, chamber empty, open bolt.

Time starts at audible signal; Time stops on last shot.

Only 10 rounds can be used. Magazines will only load max of 5 rounds per magz. Procedural penalty for extra shot will be -10 points + take away 1 Hit. Tubular magazines will take a 10+ second handicap.

All targets will score the same 10 points each. 90 seconds stage. (80 second stage for those with handicaps)

**Maximum score** 100 points.

**STAGE NOTES:** 55 degrees of incline will not be much, however there will be very limited foothold or none at all.

#### **Stage 4: Unstable shooters platform**

Platform will be suspended on steel chains.

In front will be 10 metal targets in 3 different sizes at various heights/distances (35-120 yards).

Shooter will be allowed to go prone on the platform and RO will steady it prior to the start signal.

Rifle magazine inserted, chamber empty, open bolt.

Time starts at audible signal; Time stops on last shot.

Only 10 rounds can be used. Magazines will only load max of 5 rounds per magz. Procedural penalty for extra shot will be -10 points + take away 1 Hit. Tubular magazines will take a 10+ second handicap.

All targets will score the same 10 points each. 2 minute stage. (110 second stage for those with handicaps)

**Maximum score** 100 points

STAGE NOTES: Shooters MAY NOT let any part of their body touch the suspension system of the platform. RO's will duly warn shooters who do. Repeat infractions after being warned will get a penalty of -10 points for every shot made during the infraction.

Bipods on Rifles may be used. Only House sandbags can be used.

**60 rounds match**

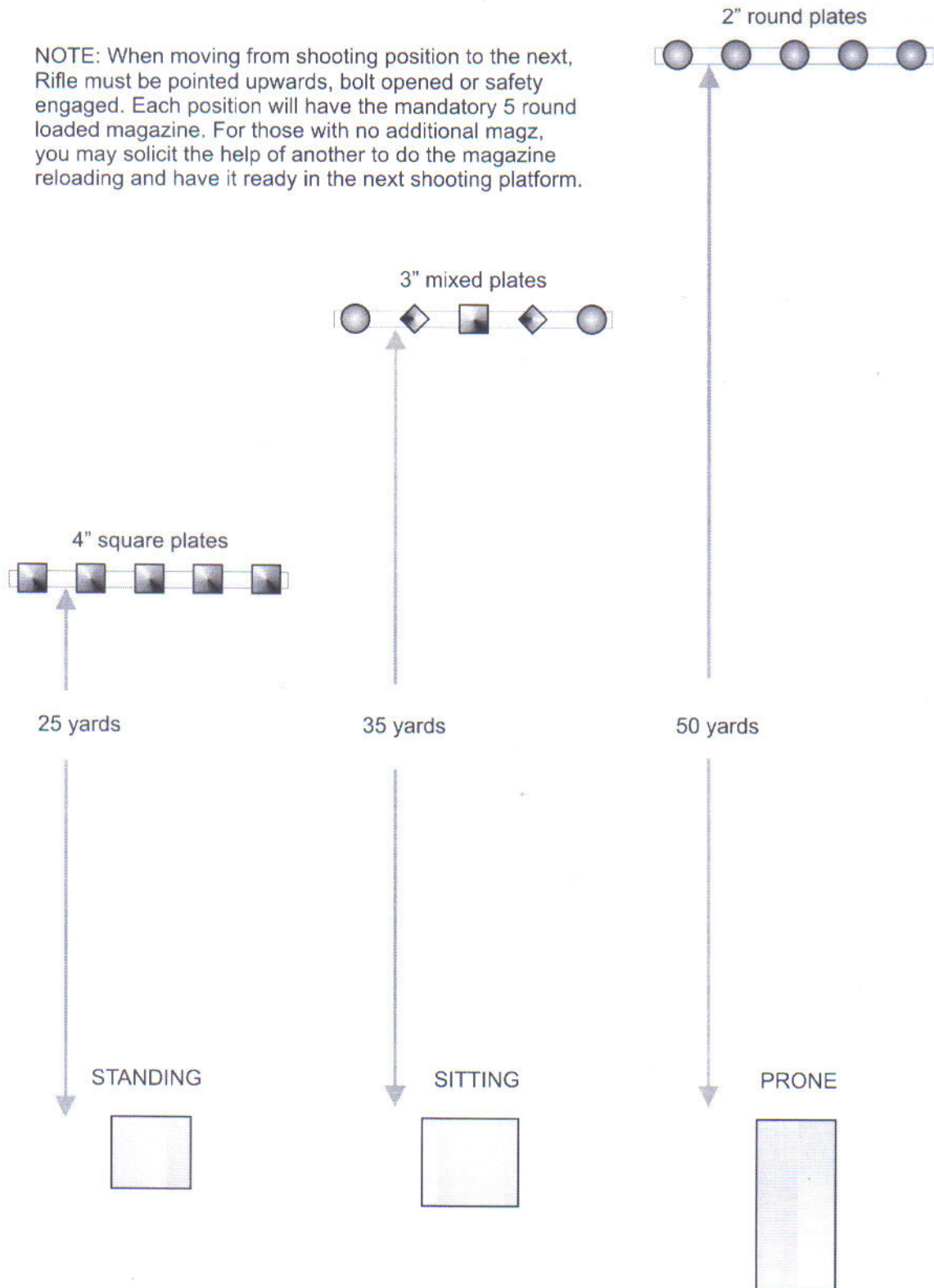
**600 points maximum**



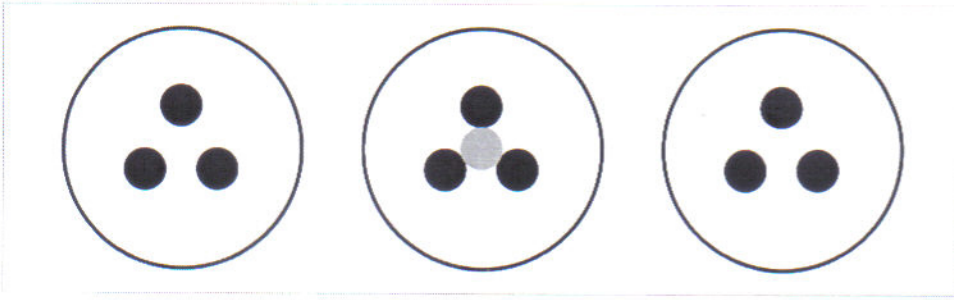
# STAGE 1

## BACK STOP

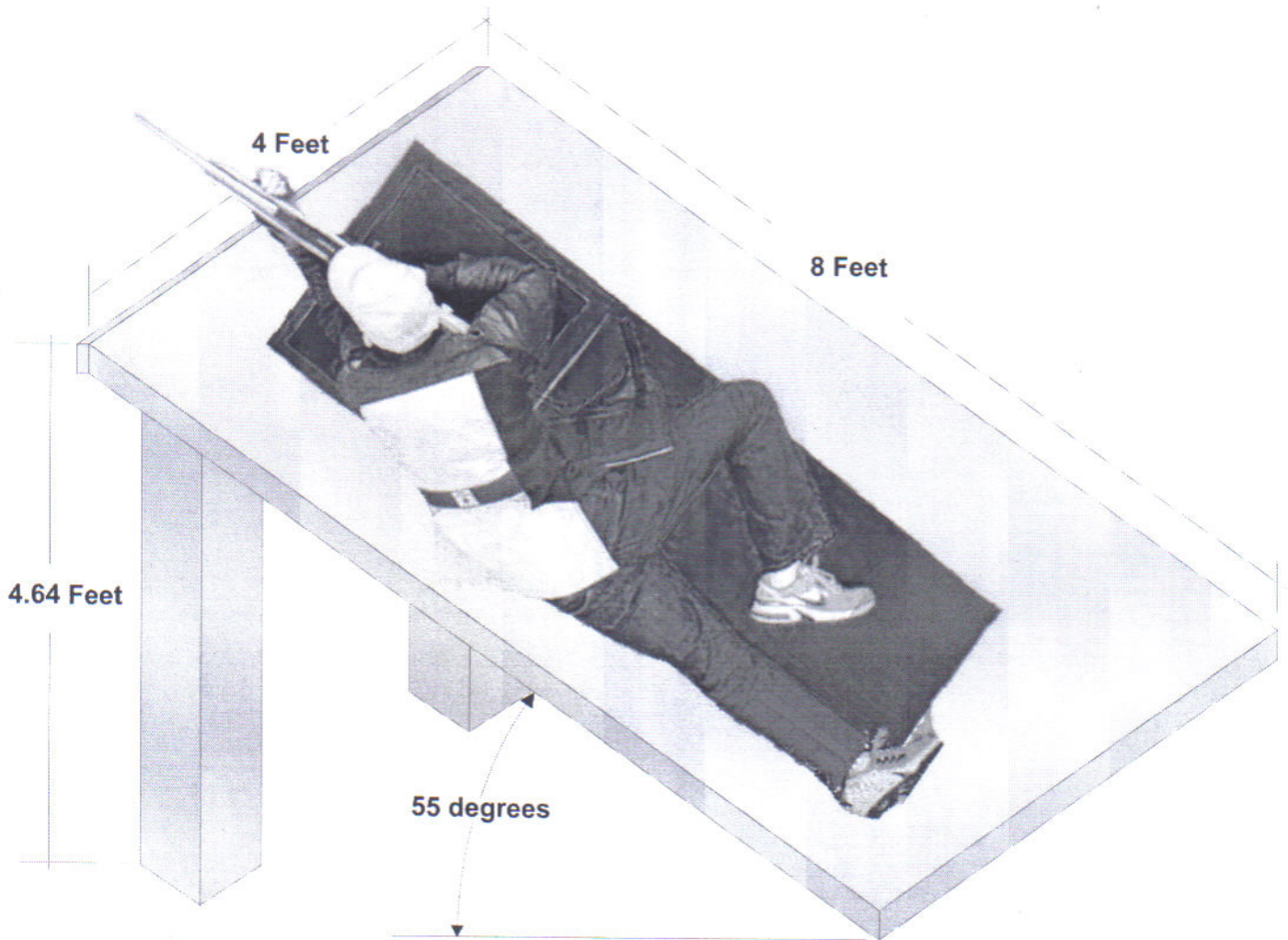
NOTE: When moving from shooting position to the next, Rifle must be pointed upwards, bolt opened or safety engaged. Each position will have the mandatory 5 round loaded magazine. For those with no additional magz, you may solicit the help of another to do the magazine reloading and have it ready in the next shooting platform.



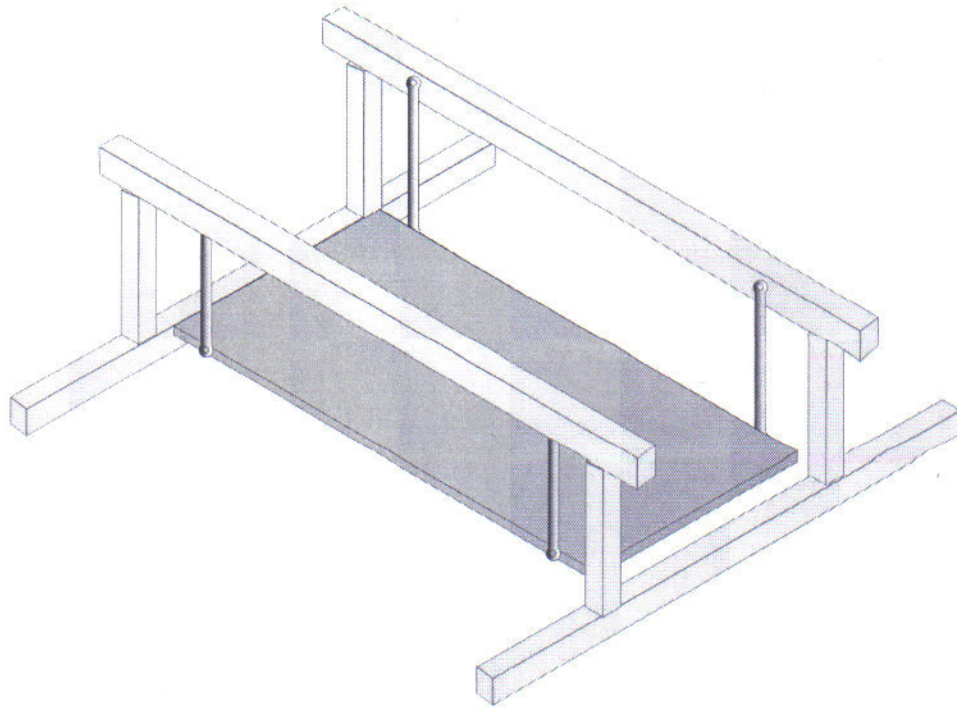
## STAGE 2



## STAGE 3



## STAGE 4



**GOOD LUCK to Everyone! Happy Shooting!**



# DOT CHALLENGE

SHOOTERS #:

POINTS:

5th Gov. Manoling Ortega Cup  
Star Shooters of La Union, Aug. 20-21, 2011

